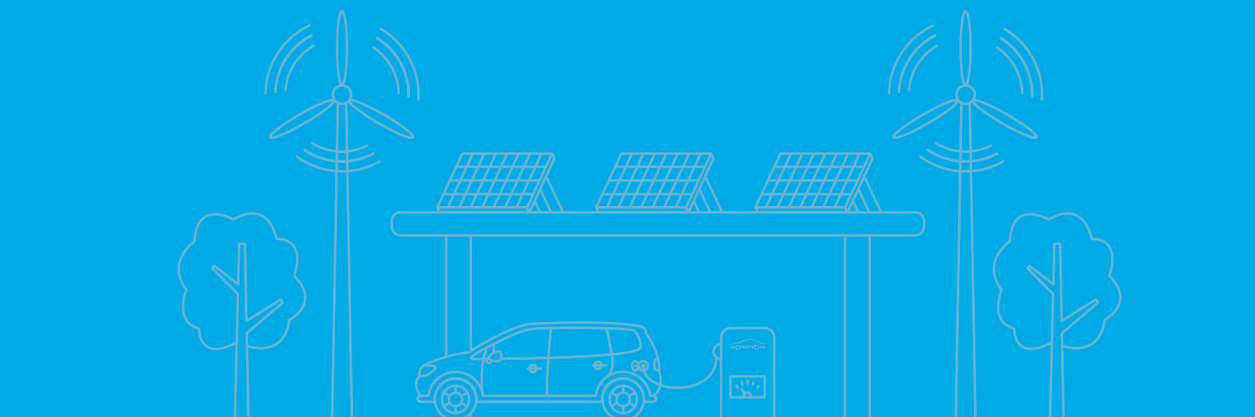




# Charging Adapters



# CCS 2 to CCS 1 Adapter

Product description: CCS 2 DC charger to CCS 1 EV Vehicle charging

Friendly reminder: Customized designs available.



## Product Parameters

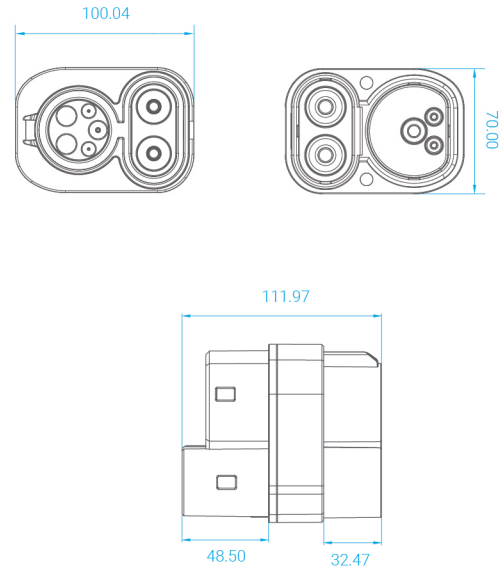
| Model No.     | Rated Current |
|---------------|---------------|
| WB-SAE-EV150S | 150A          |

| Specification                | Parameter  |                   |                               |
|------------------------------|------------|-------------------|-------------------------------|
| Rated Current                | 150A       | Casing Material   | Thermoplastic Material        |
| Rated Voltage                | 1000V DC   | Terminal Material | Copper alloy,silver plated    |
| Contact Resistance           | 0.5mΩ Max  | Plug Lifespan     | >10000 Mating Cycles          |
| Insertion & Withdrawal Force | <100N      | Certification     | CE                            |
| Operating Temperature        | -30°C+50°C | Warranty          | 24 months/10000 Mating Cycles |
| Insulation Resistance        | >500MΩ     |                   |                               |
| Protection Rating            | IP55       |                   |                               |
| Flammability Rating          | UL94V-0    |                   |                               |

# CCS 1 to CCS 2 Adapter

Product description: CCS 1 DC charger to CCS 2 EV Vehicle charging

Friendly reminder: Customized designs available.



## Product Parameters

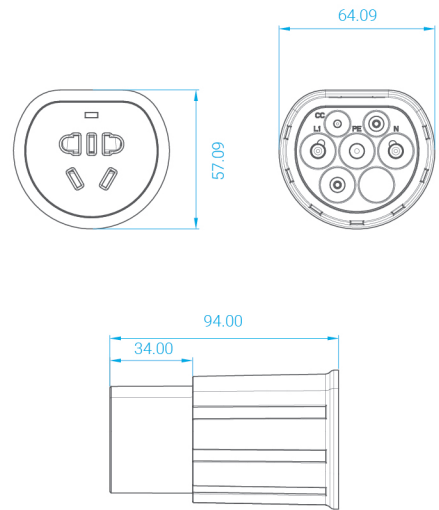
| Model No.     | Rated Current |
|---------------|---------------|
| WB-IEC-EV150S | 150A          |

| Specification             | Parameter  |                   |                               |
|---------------------------|------------|-------------------|-------------------------------|
| Rated Current             | 150A       | Casing Material   | Thermoplastic                 |
| Rated Voltage             | 1000V DC   | Terminal Material | Copper alloy,silver plated    |
| Contact Resistance        | 0.5mΩ Max  | Plug Lifespan     | > 5000 Mating Cycles          |
| Operating Temperature     | -30°C+50°C | Standards         | IEC62196-3: 2014              |
| Insulation Resistance     | >500MΩ     | Certification     | CE                            |
| Terminal Temperature Rise | <50K       | Warranty          | 24 months/10000 Mating Cycles |
| Protection Rating         | IP54       |                   |                               |
| Flammability Rating       | UL94V-0    |                   |                               |

# GB Power Plug Adapter

Product description: To supply AC power to electric vehicles

Friendly reminder: Customized designs available.



## Product Parameters

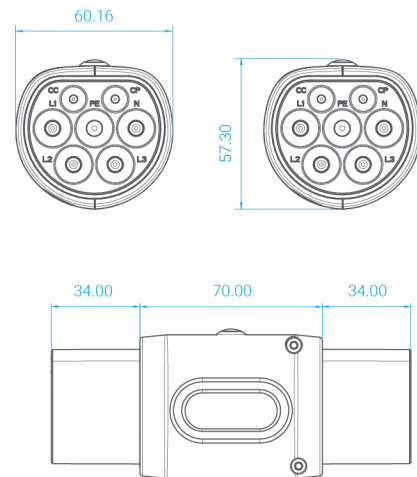
| Model No.   | Rated Current |
|-------------|---------------|
| WB-GB-EV10A | 10A           |

| Specification             | Parameter  |                       |                               |
|---------------------------|------------|-----------------------|-------------------------------|
| Rated Current             | 10A        | Casing Material       | Thermoplastic                 |
| Rated Voltage             | 220V DC    | Terminal Material     | Copper alloy,silver plated    |
| Contact Resistance        | 10mΩ Max   | Plug Lifespan         | > 10000 Mating Cycles         |
| Operating Temperature     | -30°C+50°C | Plug Temperature Rise | < 45K                         |
| Insulation Resistance     | >5MΩ       | Warranty              | 24 months/10000 Mating Cycles |
| Terminal Temperature Rise | <50K       |                       |                               |
| Protection Rating         | IP54       |                       |                               |
| Flammability Rating       | UL94V-0    |                       |                               |

# Type 2 to GB AC Adapter

Product description: European standard AC charging pile to National Standard EV Vehicle charging

Friendly reminder: Customized designs available.



## Product Parameters

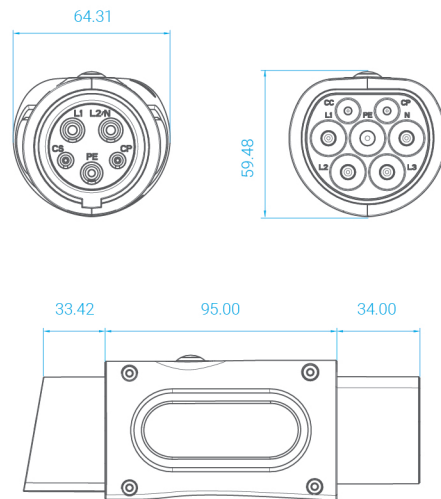
| Model No.    | Rated Current |
|--------------|---------------|
| WB-GB2-EV32A | 32A           |
| WB-GB2-EV32T | 32A           |

| Specification                | Parameter         | Specification     | Parameter                     |
|------------------------------|-------------------|-------------------|-------------------------------|
| Rated Current                | 32A               | Casing Material   | Thermoplastic Material        |
| Rated Voltage                | 250V AC / 415V AC | Terminal Material | Copper alloy,silver plated    |
| Contact Resistance           | 0.5mΩ Max         | Plug Lifespan     | >10000 Mating Cycles          |
| Insulation Resistance        | >5MΩ              | Certification     | CE                            |
| Operating Temperature        | -30°C+50°C        | Warranty          | 24 months/10000 Mating Cycles |
| Insertion & Withdrawal Force | <100N             |                   |                               |
| Protection Rating            | IP54              |                   |                               |
| Flammability Rating          | UL94V-0           |                   |                               |

# Type 2 to Type 1 Adapter

Product description: European standard AC charging pile to American standard EV Vehicle charging

Friendly reminder: Customized designs available.



## Product Parameters

| Model No.    | Rated Current |
|--------------|---------------|
| WB-SAE-EV32A | 32A           |

| Specification                | Parameter  |                   |                               |
|------------------------------|------------|-------------------|-------------------------------|
| Rated Current                | 32A        | Casing Material   | Thermoplastic Material        |
| Rated Voltage                | 250V AC    | Terminal Material | Copper alloy,silver plated    |
| Contact Resistance           | 0.5mΩ Max  | Plug Lifespan     | >10000 Mating Cycles          |
| Operating Temperature        | -30°C+50°C | Standards         | EN62196-2 & SAEJ1772          |
| Insulation Resistance        | >10MΩ      | Certification     | CE                            |
| Insertion & Withdrawal Force | <100N      | Warranty          | 24 months/10000 Mating Cycles |
| Protection Rating            | IP54       |                   |                               |
| Flammability Rating          | UL94V-0    |                   |                               |

# Type 1 to Type 2 Adapter

Product description: American standard AC charging pile to European standard EV Vehicle charging

Friendly reminder: Customized designs available.



## Product Parameters

| Model No.    | Rated Current |
|--------------|---------------|
| WB-IEC-EV32A | 32A           |

| Specification                | Parameter   |                   |                               |
|------------------------------|-------------|-------------------|-------------------------------|
| Rated Current                | 32A         | Casing Material   | Thermoplastic Material        |
| Rated Voltage                | 250V AC     | Terminal Material | Copper alloy,silver plated    |
| Contact Resistance           | 0.5mΩ Max   | Plug Lifespan     | >10000 Mating Cycles          |
| Operating Temperature        | -30°C~+50°C | Standards         | IEC62196-2 & SAE J1772        |
| Insulation Resistance        | >10MΩ       | Certification     | CE                            |
| Insertion & Withdrawal Force | <100N       | Warranty          | 24 months/10000 Mating Cycles |
| Protection Rating            | IP54        |                   |                               |
| Flammability Rating          | UL94V-0     |                   |                               |